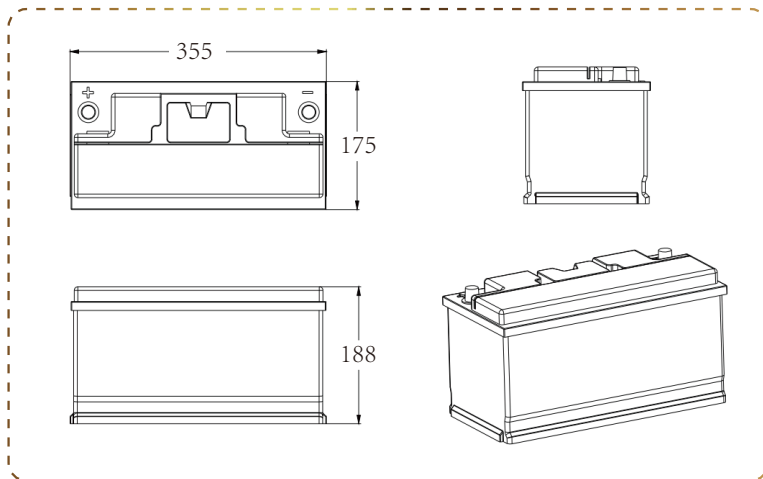




PF-Underseat-12.8V 100Ah



LITHIUM BATTERY

Strong Advantages

- 6 Years Warranty
- Directly eliminate lead-acid battery
- Lighter weight and easier to handle
- Lithium iron phosphate is more stable
- Maximum service life of over 6000 cycles
- Long-lasting modular construction
- Screw opening, perfect crafted internal structure design

BMS

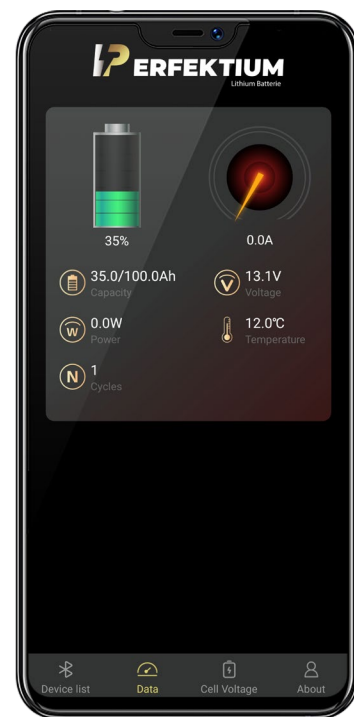
Battery Management System

The BMS monitors and controls the individual cells of a battery and protects them from damage, such as overload and overvoltage



BLUETOOTH 4.0 INTEGRATED Multiple Battery Monitoring Function

Perfektium Pro APP can monitor up to 8 batteries at the same time now. The SOC, voltage, current, temperature, available time of the battery set can be detective.



Specification

Items	Characteristics
Model	12.8V 100Ah/ 1280Wh
Dimension (L x W x H)	355×175×188mm
Weight (No Accessories)	12.6Kg
Cycle Life	>6000@80%D.o.D
Internal Resistance	≤15 mΩ @ 50% SOC
Recommended Charge Voltage	14.6V
Float Charge Voltage (For standby use)	13.8±0.8V
Recommended Charge Current	30A
Max Charge Current	50A
Continuous Discharge Current	150A
Peak Discharge Cut-Off Current	450A (200~500ms)
Operating Voltage Range	10 - 14.6V
End of Discharge Voltage Range	9.2 - 11.2V
Terminal Type	M8
Ingress Protection Code	IP65
Charge Temperature	0~50°C
Discharge Temperature	-20~75°C
Storage Temperature	-5~35°C
Storage Condition	Charging the battery every 3 months
Series & Parallel Availability	4 series and 4 parallel at most
Certifications	CE /UL /UN38.3 /MSDS /ROHS UN 3480 /CLASS 9